

1 PHASE (PJC) PEDESTAL JUNCTION CABINET

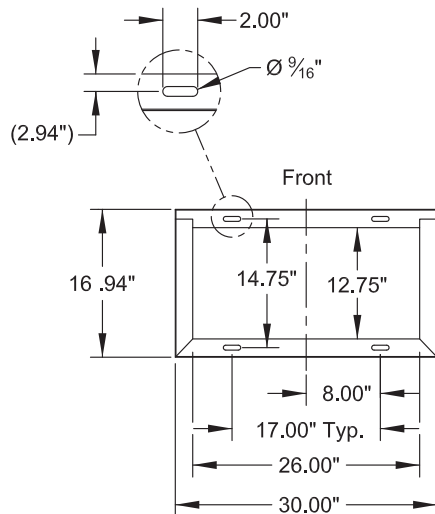
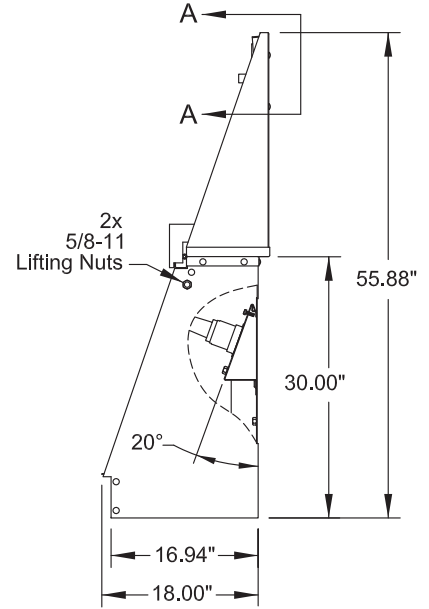
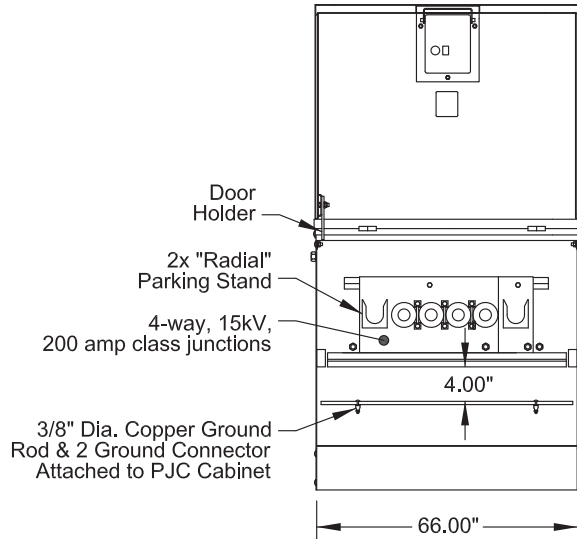
REVISION: Updated Format, Details & Notes; Relocated
 from UGS-730.2

CHECKED BY
 (ENGINEERING): JRS

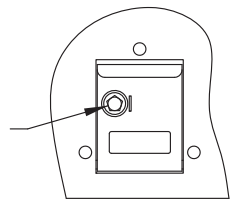
DATE: 12/03/18

CHECKED BY
 (FIELD): JH

APPROVED BY: *Stephen E. Saford*



Captive Spring Loaded Silicone Bronze or Stainless Steel Penta Bolt



Section A-A
 (Rotated 180 Degrees)

Notes:

1. PJC cabinets are fabricated from 14 Ga. galvanized steel; See RPU Spec. 1-8.2 for detailed specifications and approved manufactures.
2. Designed to conform to ANSI C57.12.28.